

PREPARATION

INSTALLING MECHANICS: Pass instruction manual onto customer. This contains vital information about the use, adjustments, and maintenance of the product. It also contains important cautionary and warning information.

PREPARATION: Put motorcycle on center stand. Take precaution against paint damage while installing your windshield kit to your motorcycle. Place a heavy cloth over the front fender of your motorcycle to prevent any scratches or dents from occurring should a tool or part fall during installation.

PARTS LIST

Index	Part No.	Description	Qty.
BAG 192			
1	37-410501-000	Flat Bracket	2
2	42-480000-000	Chrome Cap Nut	4
3	49-495410-000	Spacer	4
4	51-516020-000	1/4-20 x 1/2" Socket Screw	4
5	55-586030-000	1/4-20 Carriage Bolt	4
	75-764002-000	Rubber Spacer	4
	59-515110-000	Hex Key	1
Loose in Kit			
6	37-370020-COL	Left Front Fork Bracket	1
7	37-370021-000	Rear Fork Bracket	2
8	37-370020-COR	Right Front Fork Bracket	1


Tools

7/16" Crescent Wrench
Hex Key 5/32" (supplied in kit)
Screwdriver, Phillips (to adjust window in Heavy Duty Windshield if necessary)

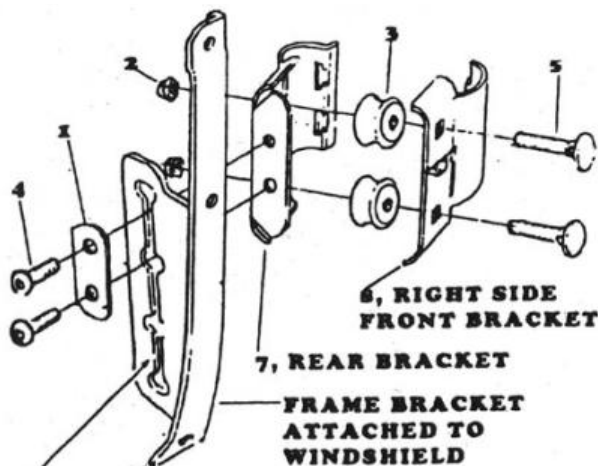
INSTALLATION PROCEDURE

NOTE: For 35mm fork, install rubber spacers to inside of clamps.

- Place front bracket onto fork. Hook rear bracket slots over front bracket tabs.
- Place carriage bolts (5) through holes in front bracket. Slide spacers onto bolts. Carefully close bracket making sure carriage bolts go through holes in rear bracket.
- Hand tighten cap nuts onto carriage bolts. Repeat procedure for other side.
- Adjust brackets to correct location using windshield as a reference.

Note: At this time check height of windshield. The higher you raise the windshield, the lower you will adjust the window. Refer to "Adjusting Window" on page 2.

- Install windshield onto brackets using spacer plate and socket head screws.
- Make final adjustments. Check symmetry of left and right sides. Check clearance at full fork lock left and right. Adjust if necessary. Fully tighten socket head screws, bolts, and cap nuts.

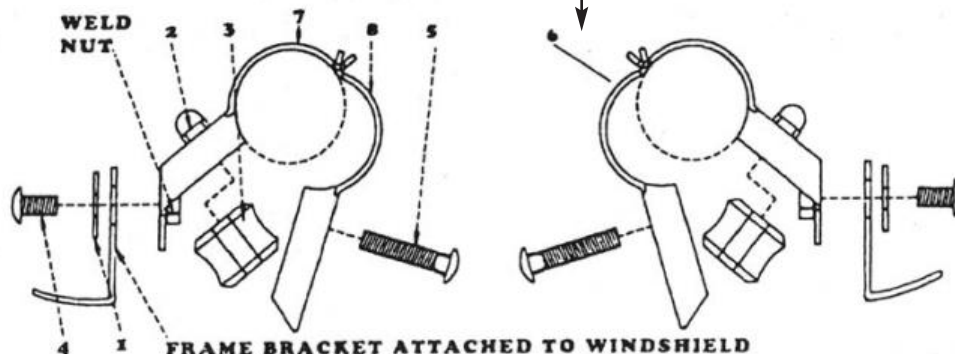


CHK bracket can not be positioned lower than this point.

TOP VIEW, Front of Motorcycle Faces this Direction

RIGHT FORK TUBE ASSEMBLY

LEFT FORK TUBE ASSEMBLY



National Cycle, Inc. Maywood, IL 60153-0158 USA 708-343-0400 / Fax: 708-343-0625

WARNING

National Cycle windshields and fairings are designed to provide wind protection and increased riding comfort, but not protection in the event of a collision with another vehicle, the road, birds, or any other object. Our products utilize certain features, patented and otherwise, that may minimize injury in certain accidents, but the possibility of injury exists if the screen is broken or if impacted by an object.

Always wear eye protection, helmets and protective clothing. Never ride your motorcycle while under the influence of drugs or alcohol.

All of our products are made in conformance and exceed the requirements of D.O.T. SS205,Z26.1, classifications AS6 and AS7, which covers all safety glazing for motorcycle application.

Never ride your motorcycle with loose windshield mounting hardware. Check the hardware for tightness regularly.

Today's motorcycles are built with enough frame rigidity to withstand the moderate loads imposed on them by the foreseeable addition of a fork mounted windshield.

If the addition of an accessory(ies) adversely affects your motorcycle's stability, immediately remove the accessory(ies). Do not ride a motorcycle that exhibits unsafe handling traits. Have experienced service personnel correct any problem before riding with the accessory(ies) installed. For further questions concerning handling problems associated with an accessory(ies), contact your dealer, motorcycle manufacturer, or accessory manufacturer.

MAINTENANCE

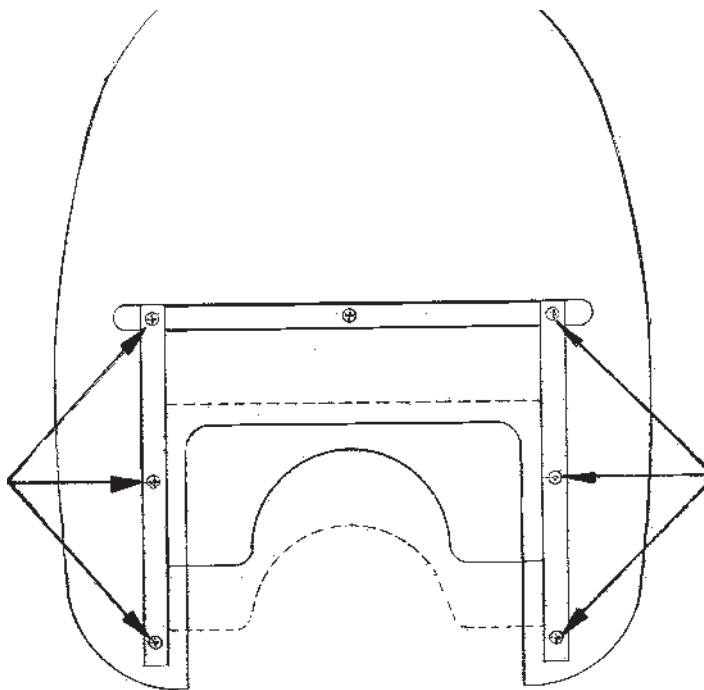
To clean the screen, wash with a clean soft cloth, plenty of warm water and, if necessary, a non-abrasive soap such as dishwashing liquid. Flannel or soft chamois make good cleaning cloths. Paint, glue residue or grease removal: Moisten cotton with Naphtha or Turpentine followed by a wash as above.

Apply a high quality plastic polish, such as Meguiar's Mirror-Glaze MGH-17 or Novus #2, to the clean screen. This will leave a protective coating in the screen making future cleaning easier. Do not clean polycarbonate in hot sun or high temperatures.

Do not clean the screen with glass cleaners. Do not use rain protective products on the screen. The solvent action of the alcohol in these products will destroy the screen. Do not allow brake fluid, alcohol, or strong solvents to contact the screen or penetrate between the chrome brackets and the polycarbonate. Permanent damage will result!

STORAGE

Do not use low quality vinyl covers or old shower curtains to store your motorcycle or windshield. These products damage the plastic of windshields and the motorcycle body.



Adjustment of the Window

The adjustable window is easily adjusted or changed in all National Cycle Heavy Duty Windshields. Loosen the 6 cap nuts on the vertical chrome strips. Replace or adjust the window. Tighten cap nuts to 3-10 In/Lbs of resistance to turning screw. (3-10 In/Lbs after the screw has passed the Nylok Patch.)